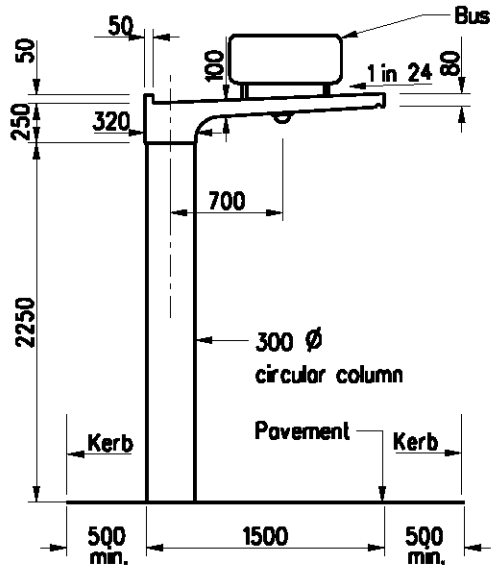
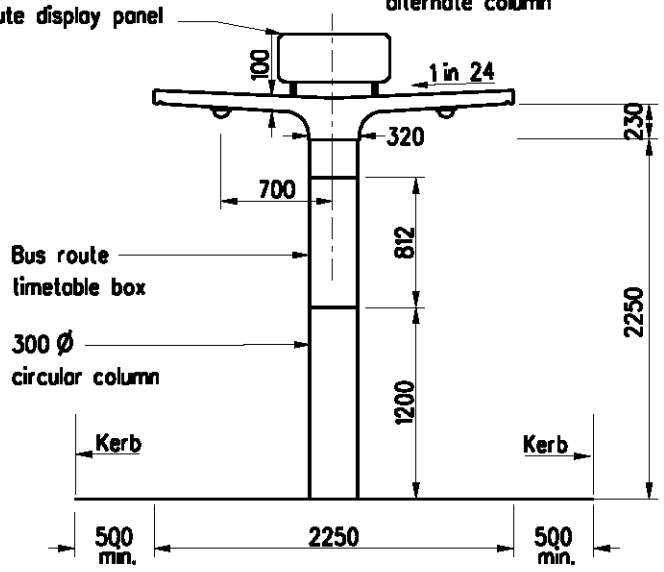


- Notes :
1. Concrete : grade 30/20
 2. Cover to reinforcement 30mm
 3. Concrete finish column & above F3 footing F1
 4. Foundation bearing pressure = 80 KN/sq.m.
 5. Dimensions in mm.

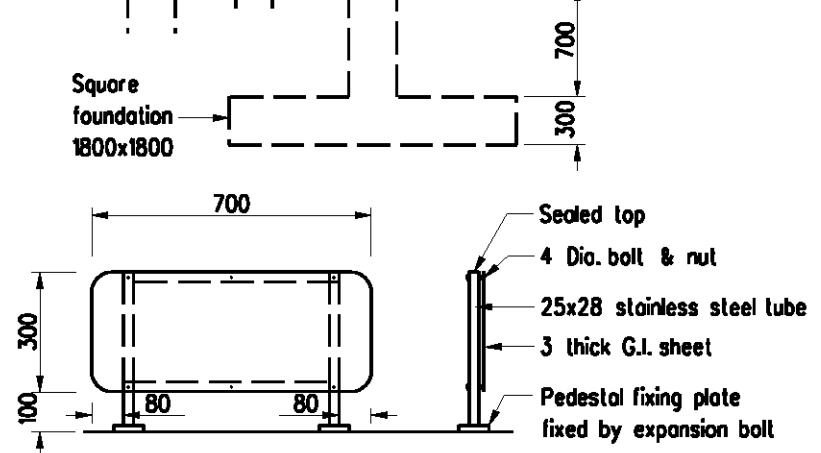
FRONT ELEVATION



BUS SHELTER TYPE 'B'



BUS SHELTER TYPE 'A'



BUS ROUTE DISPLAY PANEL

Scale 1:20

	Former Drg. No. H2039/1 with general revision		June 94
REF.	REVISION	SIGNATURE	DATE

HIGHWAYS DEPARTMENT			
REFERENCE	DRAWING No.		CAD
SCALE	H 4109		
	1:50 or as shown		

BUS SHELTER - GENERAL LAYOUT