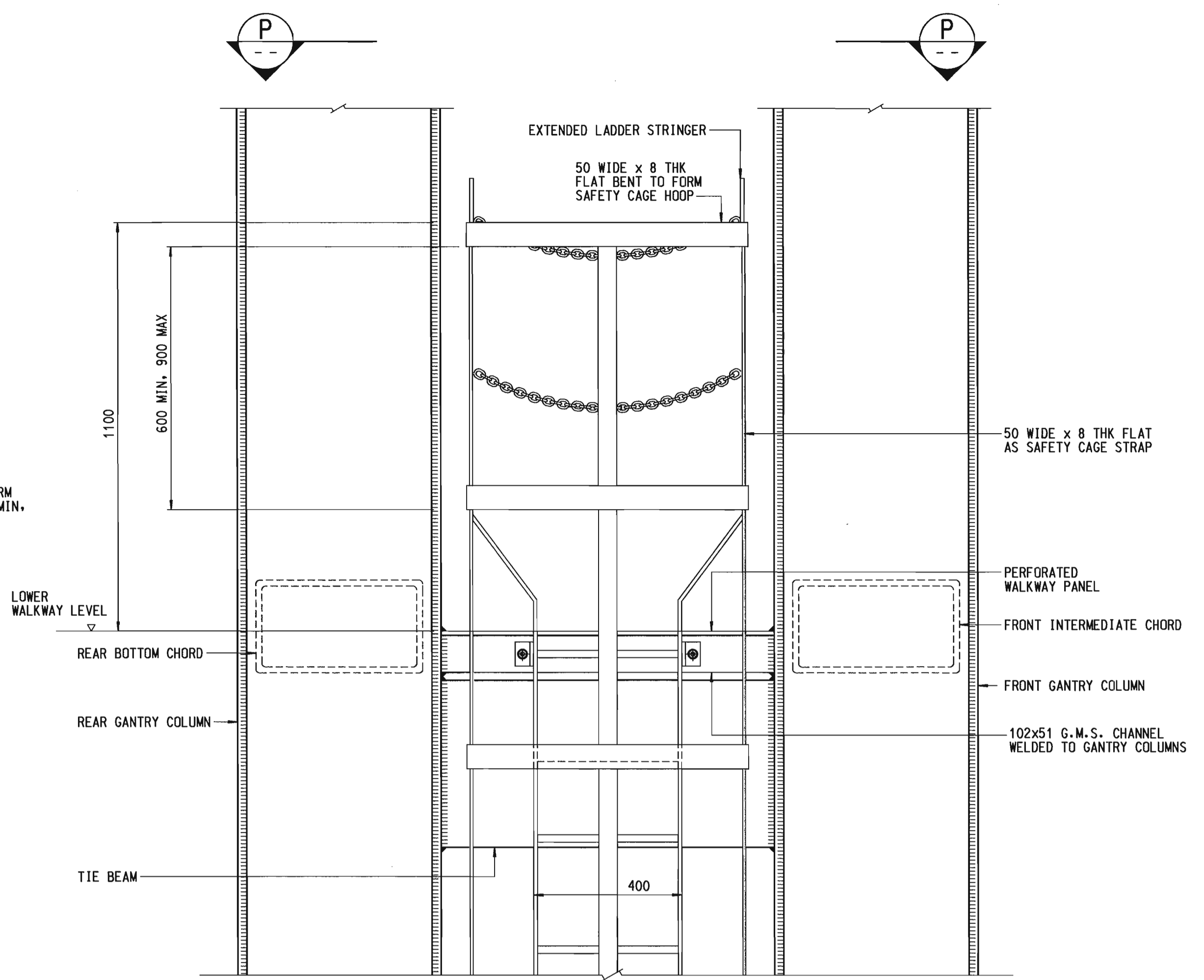
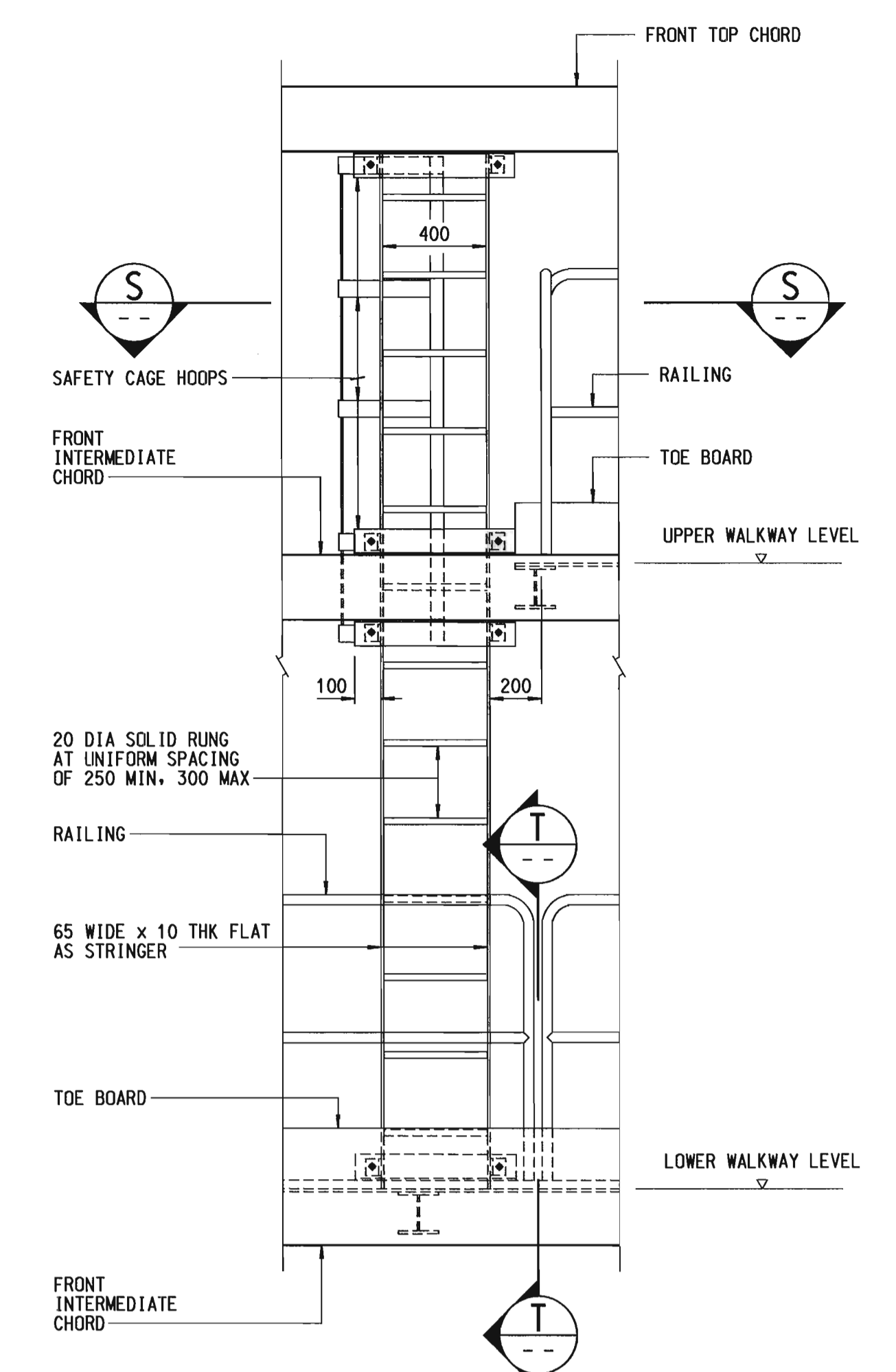


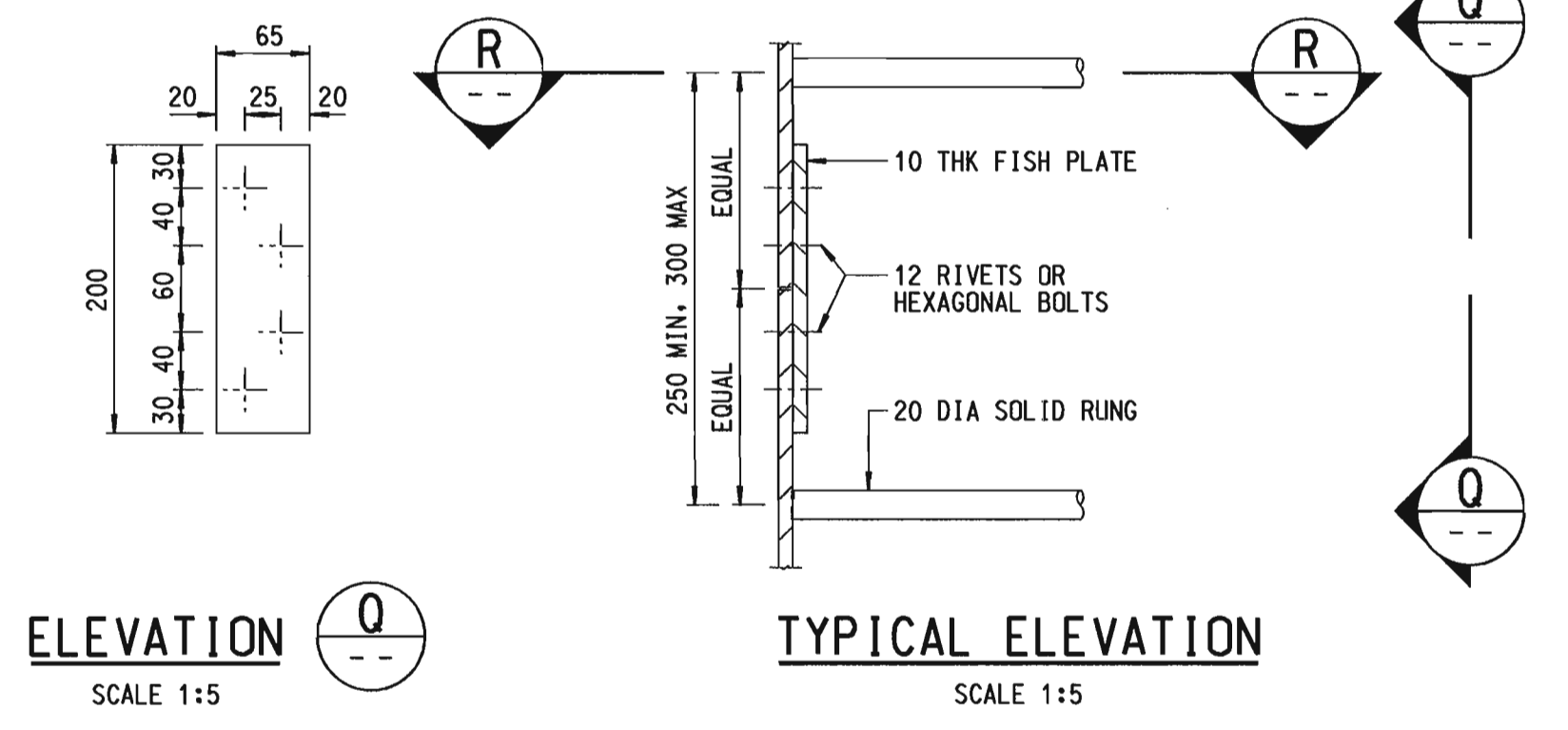
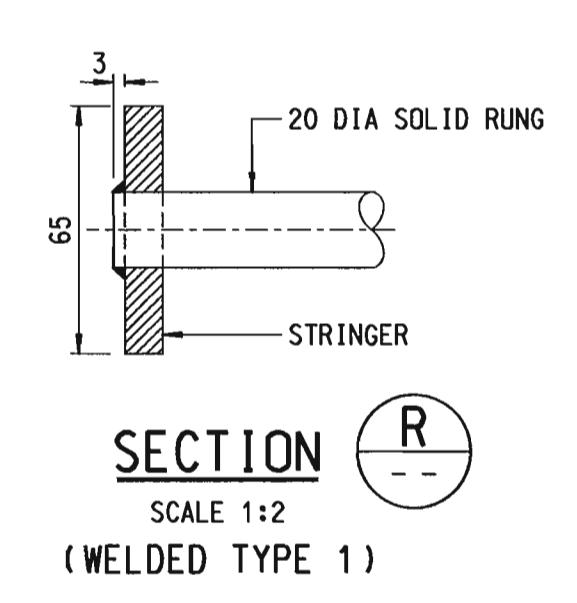
BOTTOM END OF CAT LADDER ELEVATION
SCALE 1:10



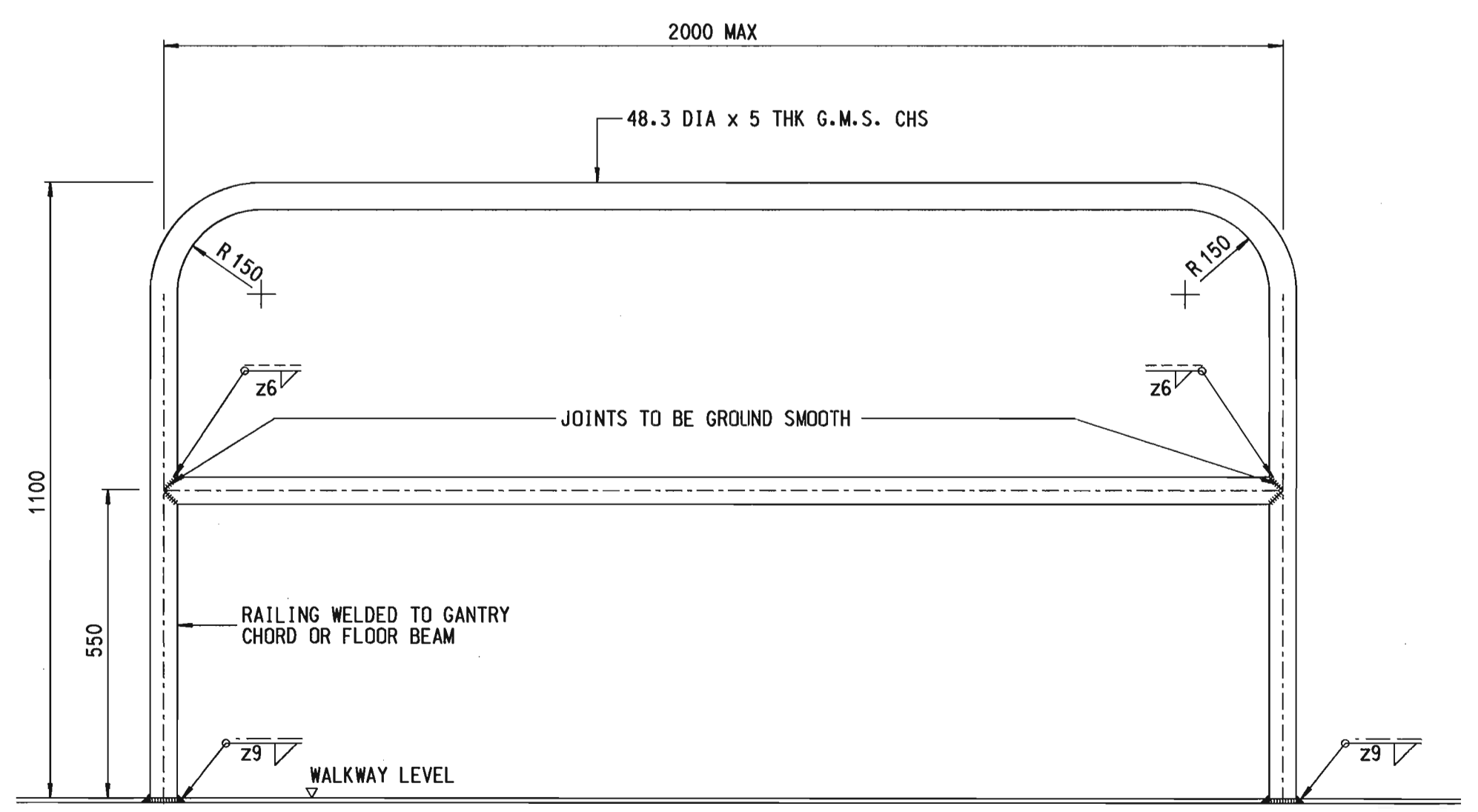
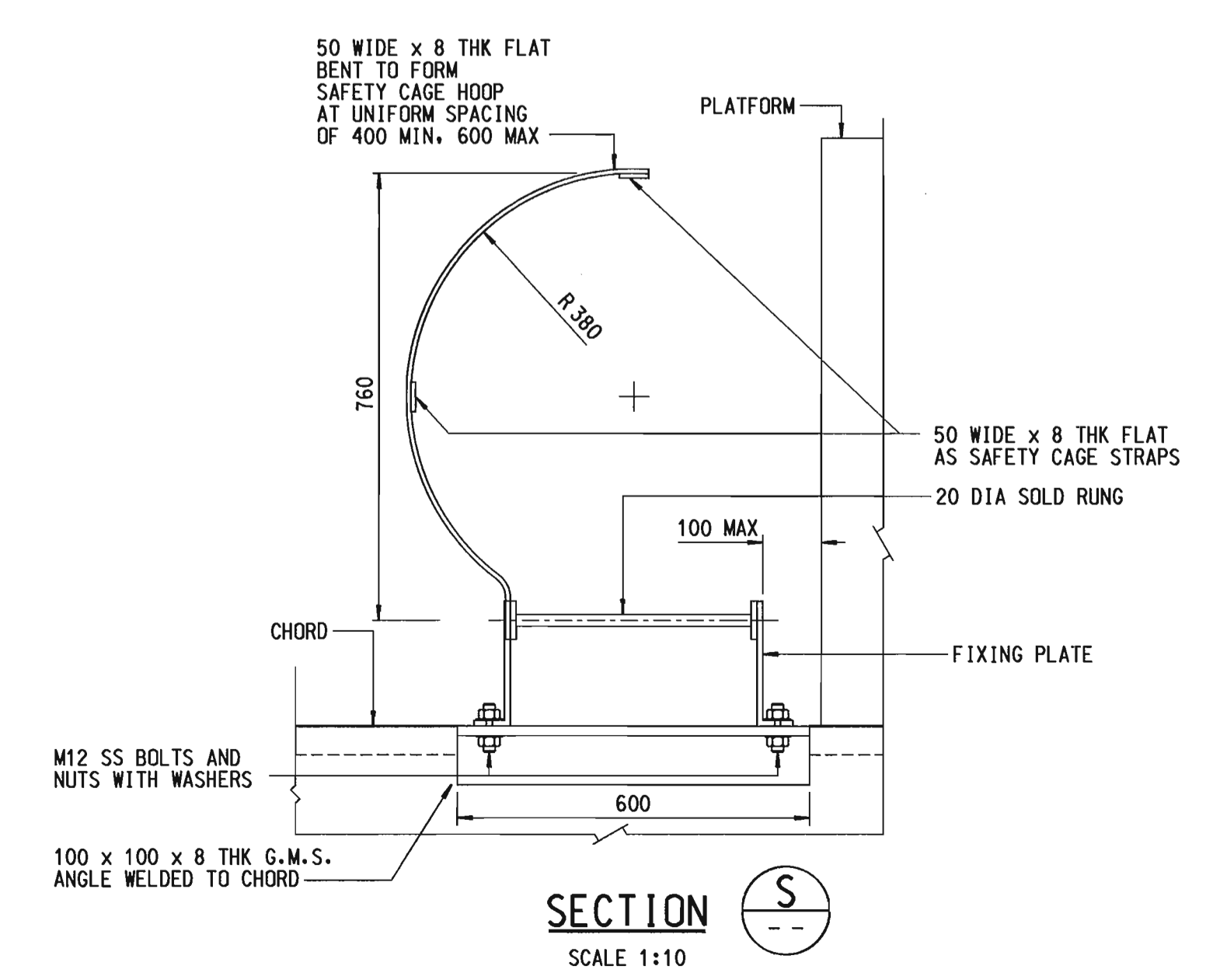
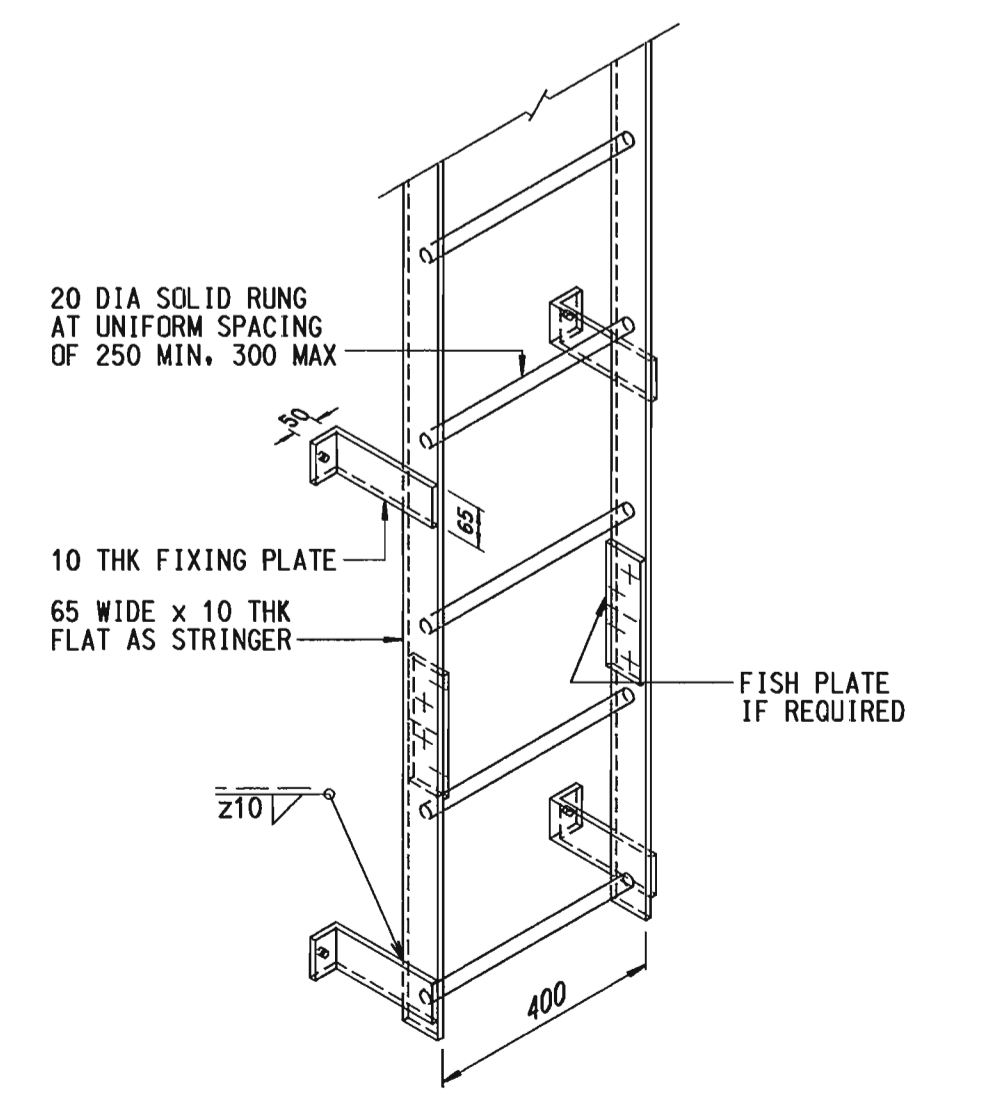
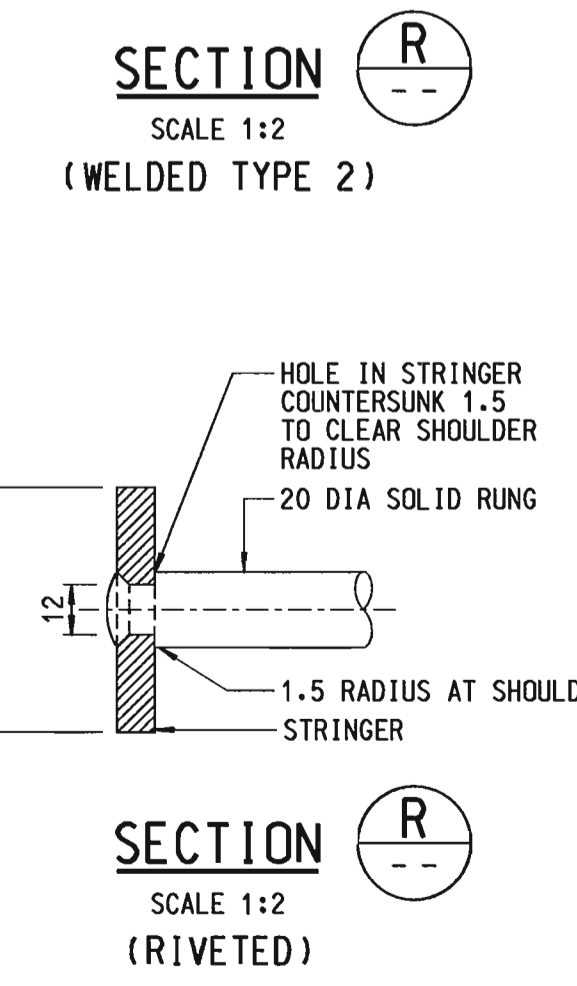
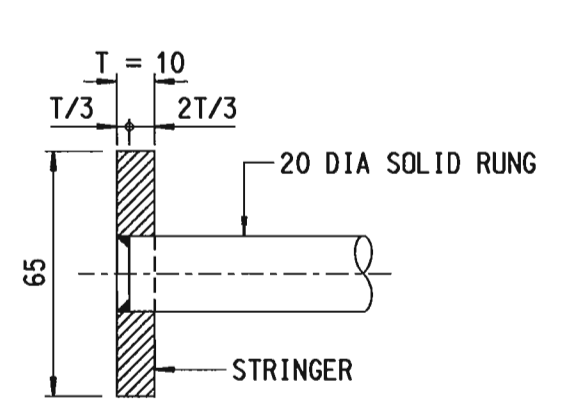
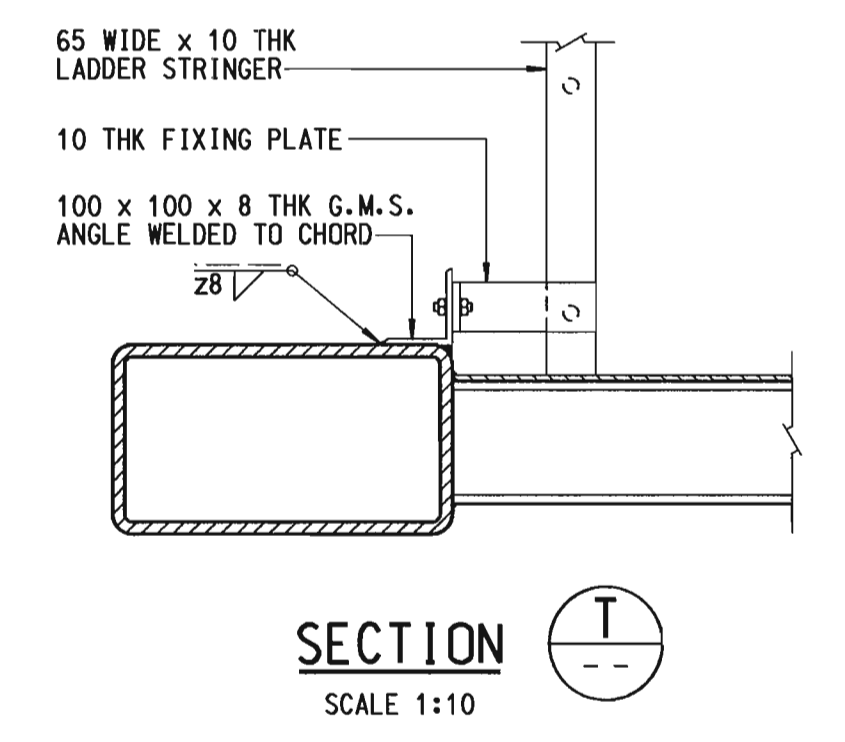
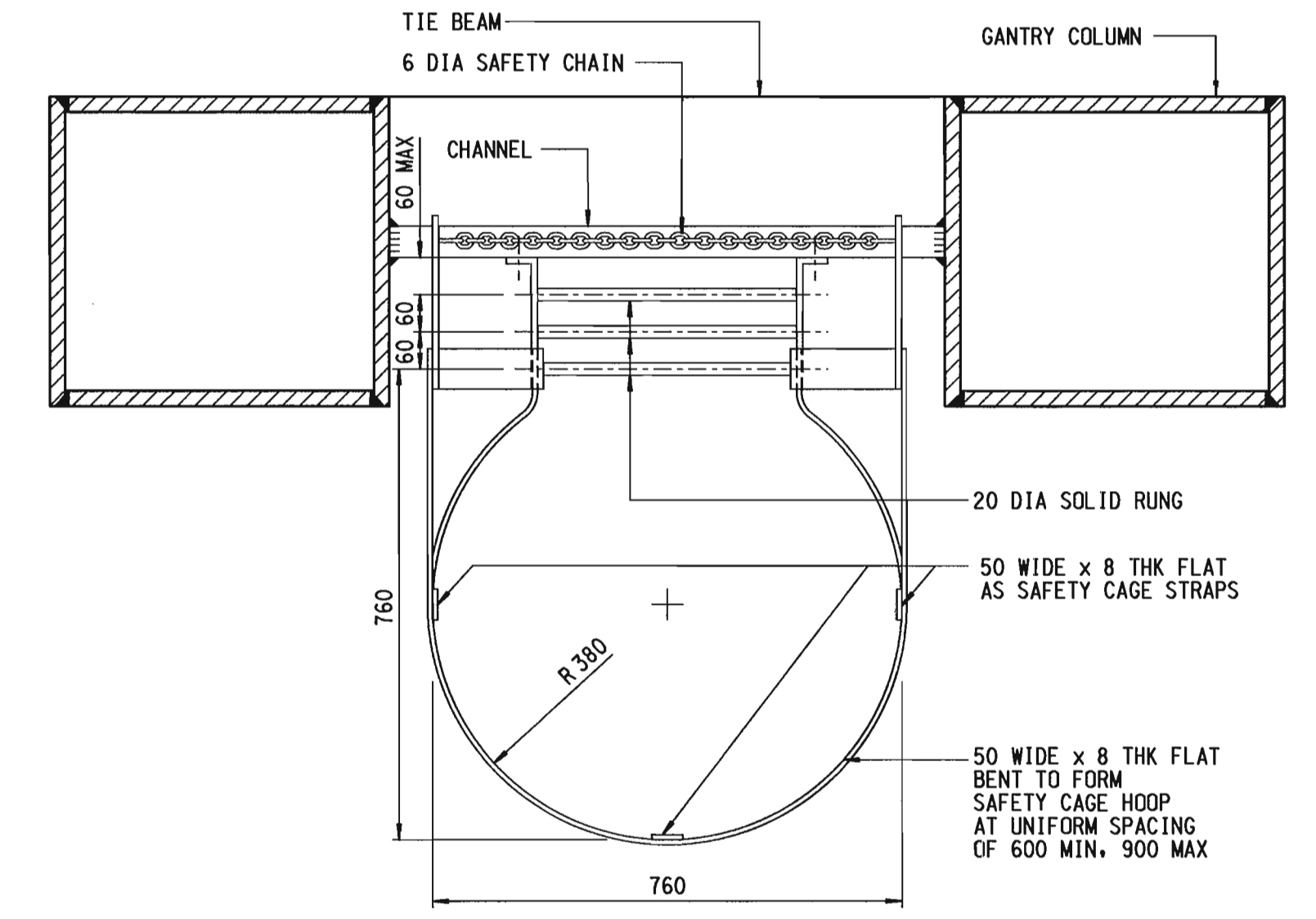
TOP END OF CAT LADDER WITH SAFETY CAGE ELEVATION
SCALE 1:10



PLATFORM CAT LADDER WITH SAFETY CAGE ELEVATION
SCALE 1:20



FISH PLATE CONNECTION DETAILS OF CAT LADDER



NOTES:
1. THIS DRAWING SHALL BE READ IN CONJUNCTION WITH DRAWING No. HSTSD160(1).

no.	date	description	initial
REVISION			
designed	K. S. LAM	<i>[Signature]</i>	04/11
drawn	W. K. WOOD	<i>[Signature]</i>	04/11
checked	Y. W. CHIN	<i>[Signature]</i>	08/11
project engineer	K. S. LAM	<i>[Signature]</i>	08/11
major engineer	P. T. LEUNG	<i>[Signature]</i>	08/11
approved	<i>[Signature]</i>	P. K. LEE Chief Highway Engineer	5 Aug 2011 date

contract no.
file no. STR 5/40/18
project no.
contract

drawing title
TRAFFIC CONTROL AND SURVEILLANCE SYSTEM
SIGN GANTRY TYPE E
FOR FULLY VARIABLE MESSAGE SIGN WITH FIXED DIRECTIONAL SIGN
(SHEET 4 OF 4)

drawing no. SSD160(4)
scale AS SHOWN

office
BRIDGES AND STRUCTURES DIVISION
HIGHWAYS DEPARTMENT
HONG KONG
結構標部及
香港路政署

