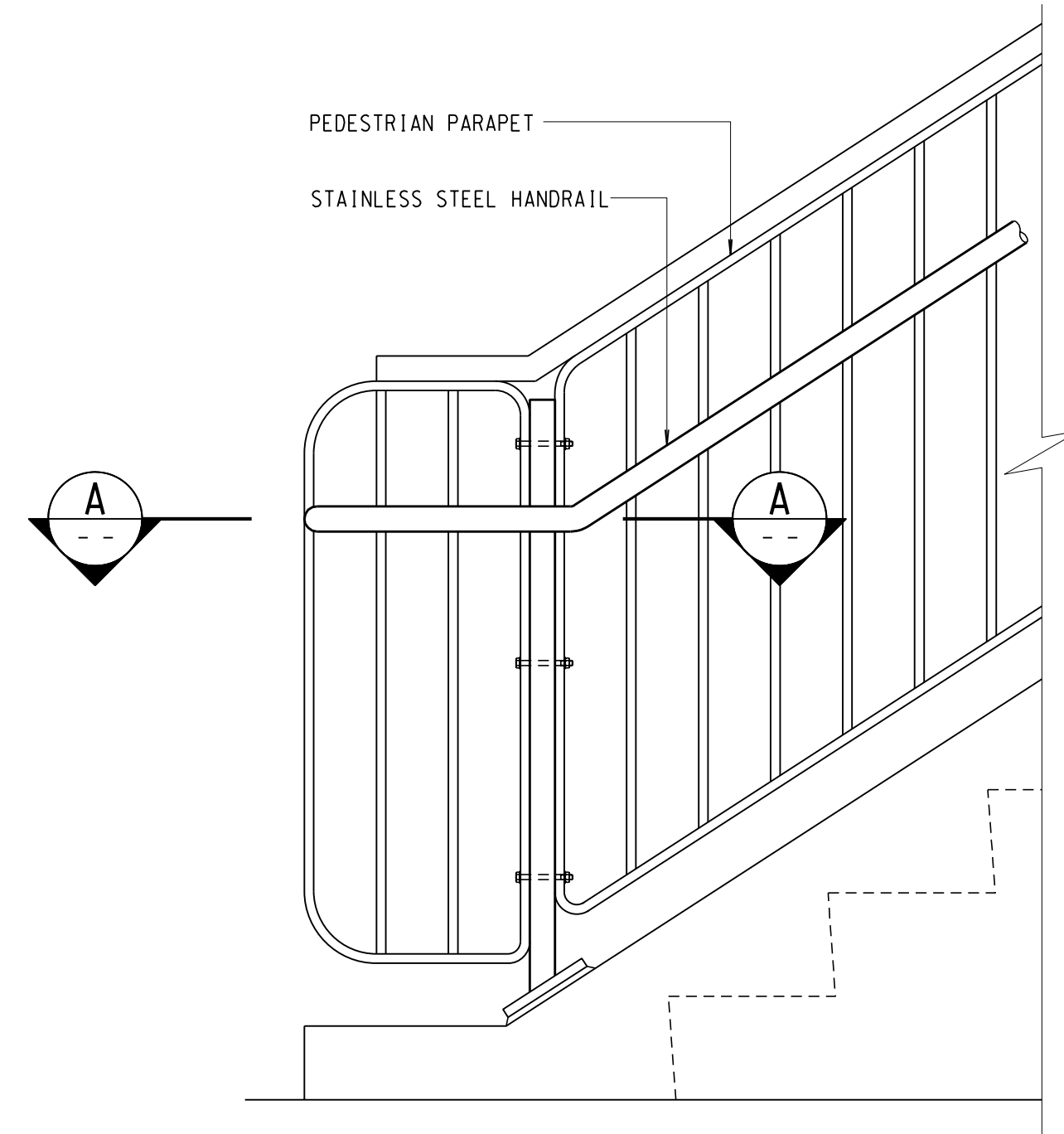


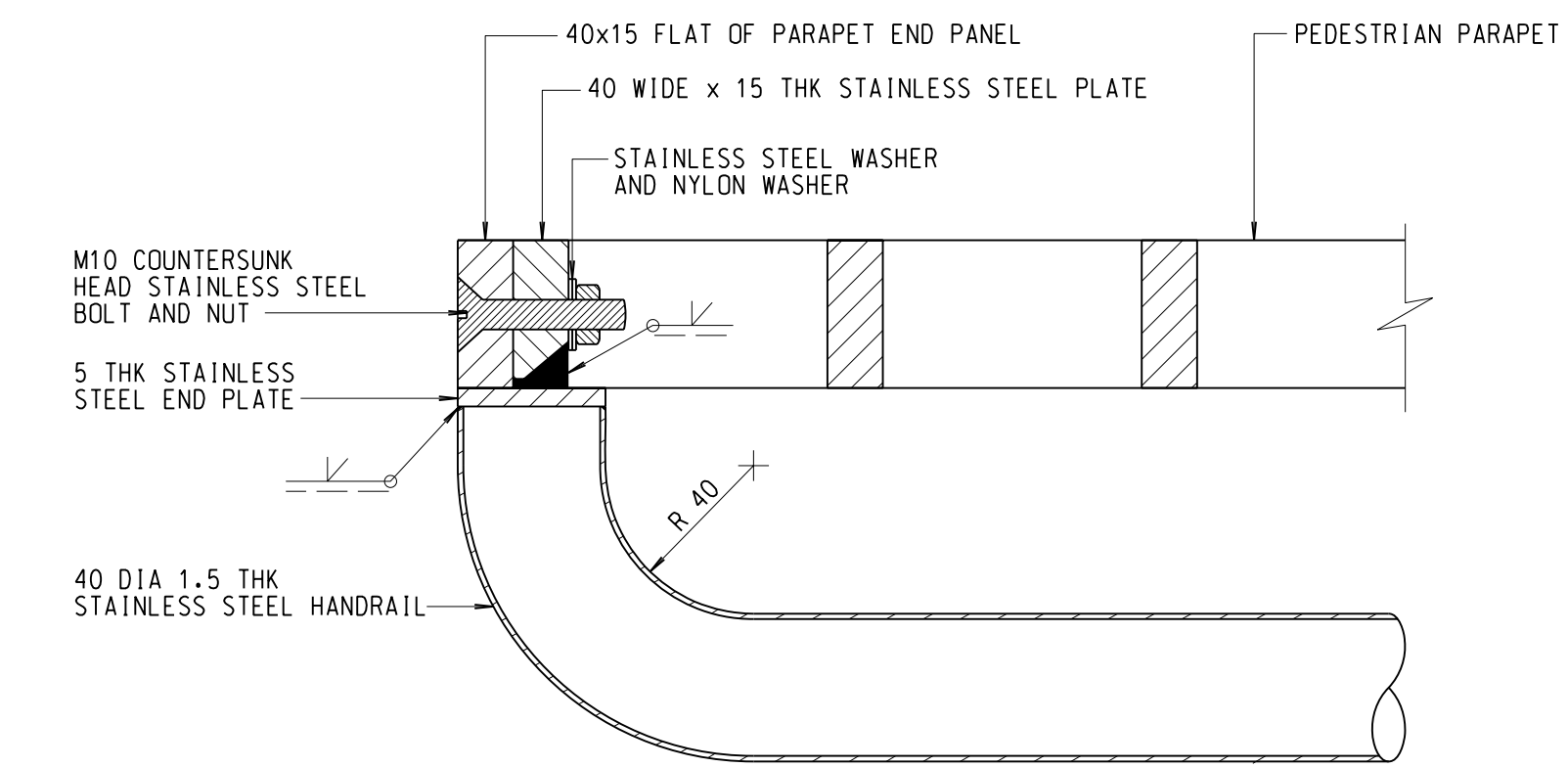
ELEVATION OF HANDRAIL AT STAIRCASE

SCALE 1:10
(PEDESTRIAN PARAPET NOT SHOWN FOR CLARITY)

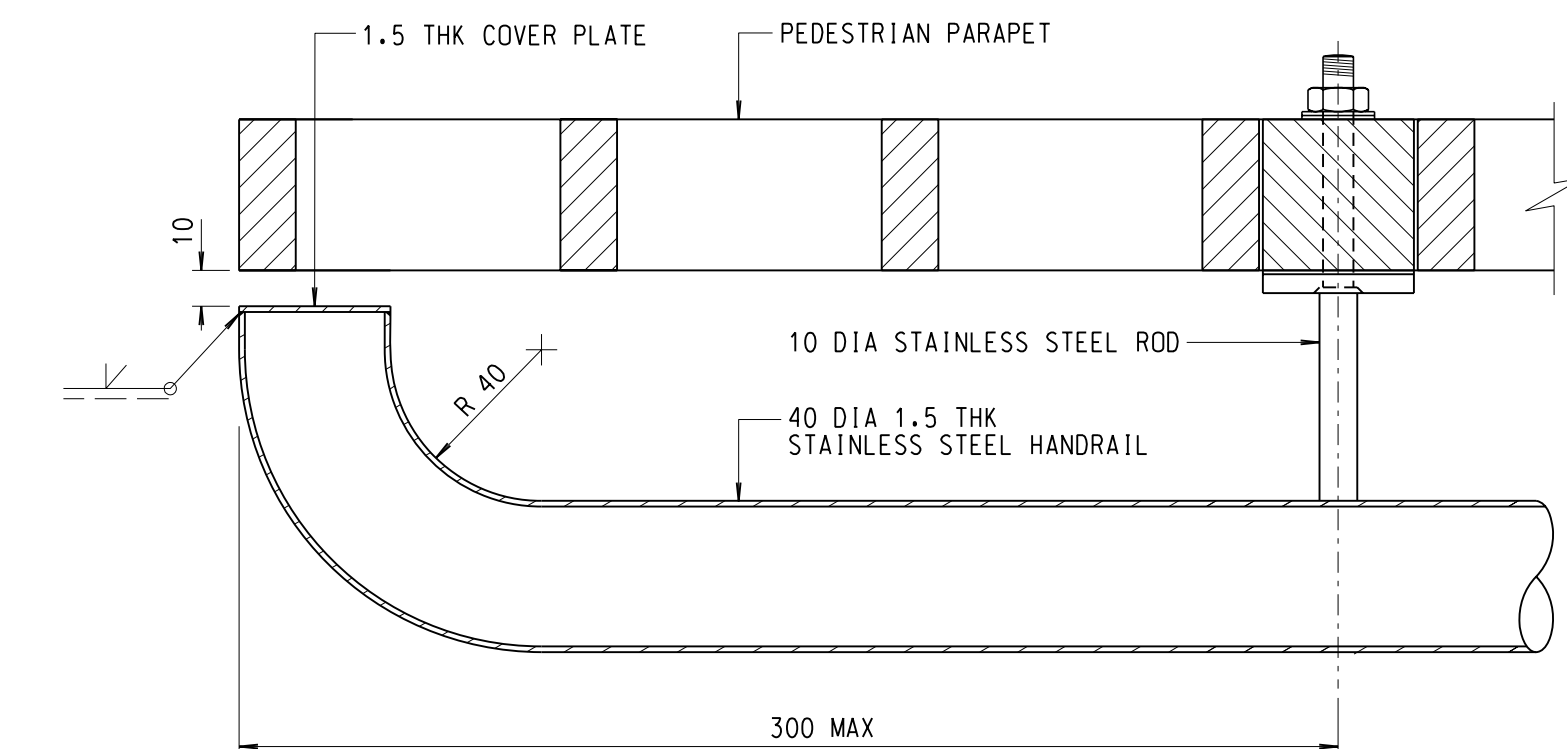


ELEVATION OF HANDRAIL END AT STAIRCASE PARAPET

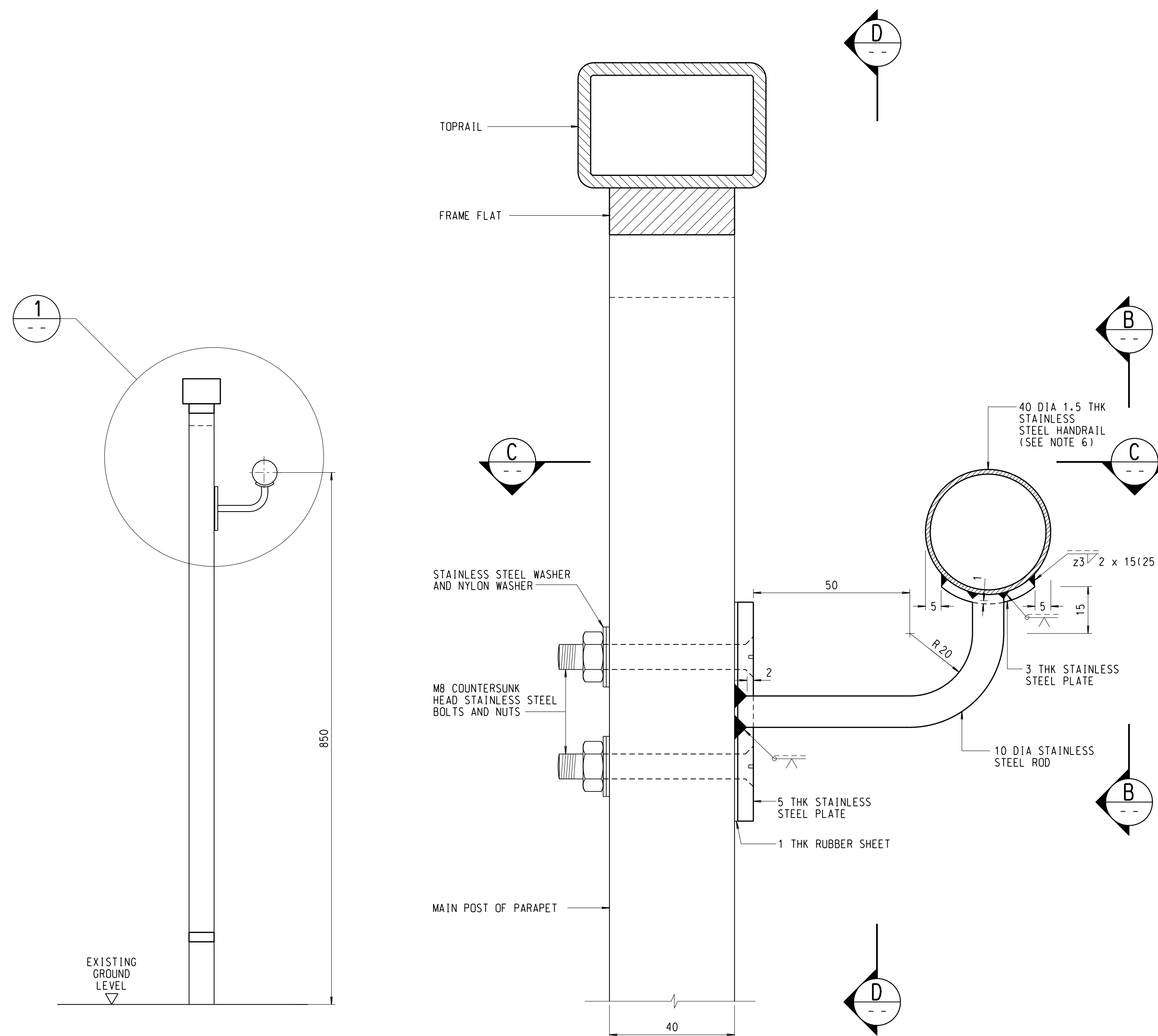
SCALE 1:10



SECTION A
SCALE 1:2
(FOR LOCATION PRONE TO VEHICULAR COLLISION)



SECTION A
SCALE 1:2
(FOR LOCATION NOT PRONE TO VEHICULAR COLLISION)

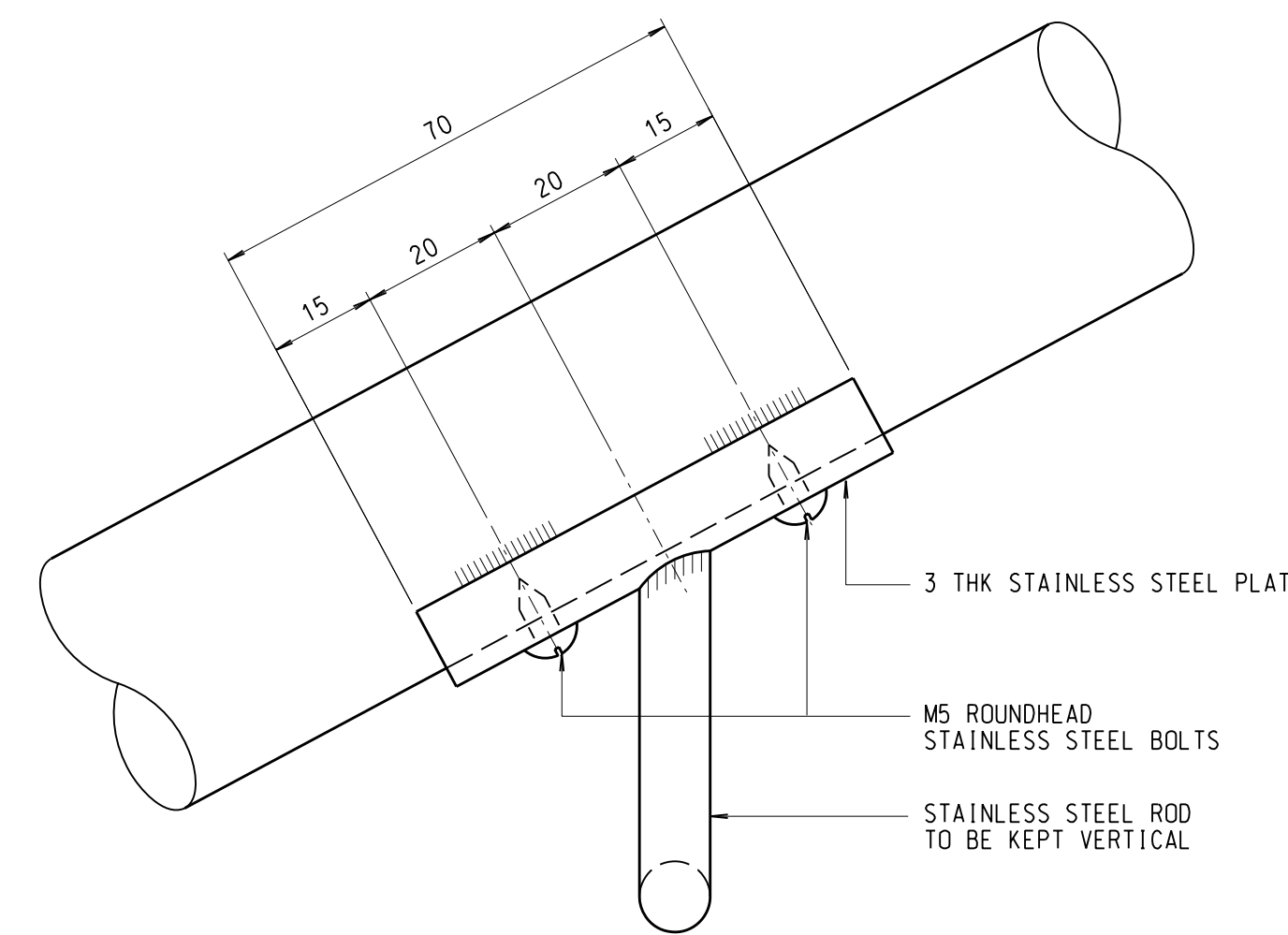


TYPICAL SECTION OF PARAPET AND HANDRAIL

SCALE 1:5

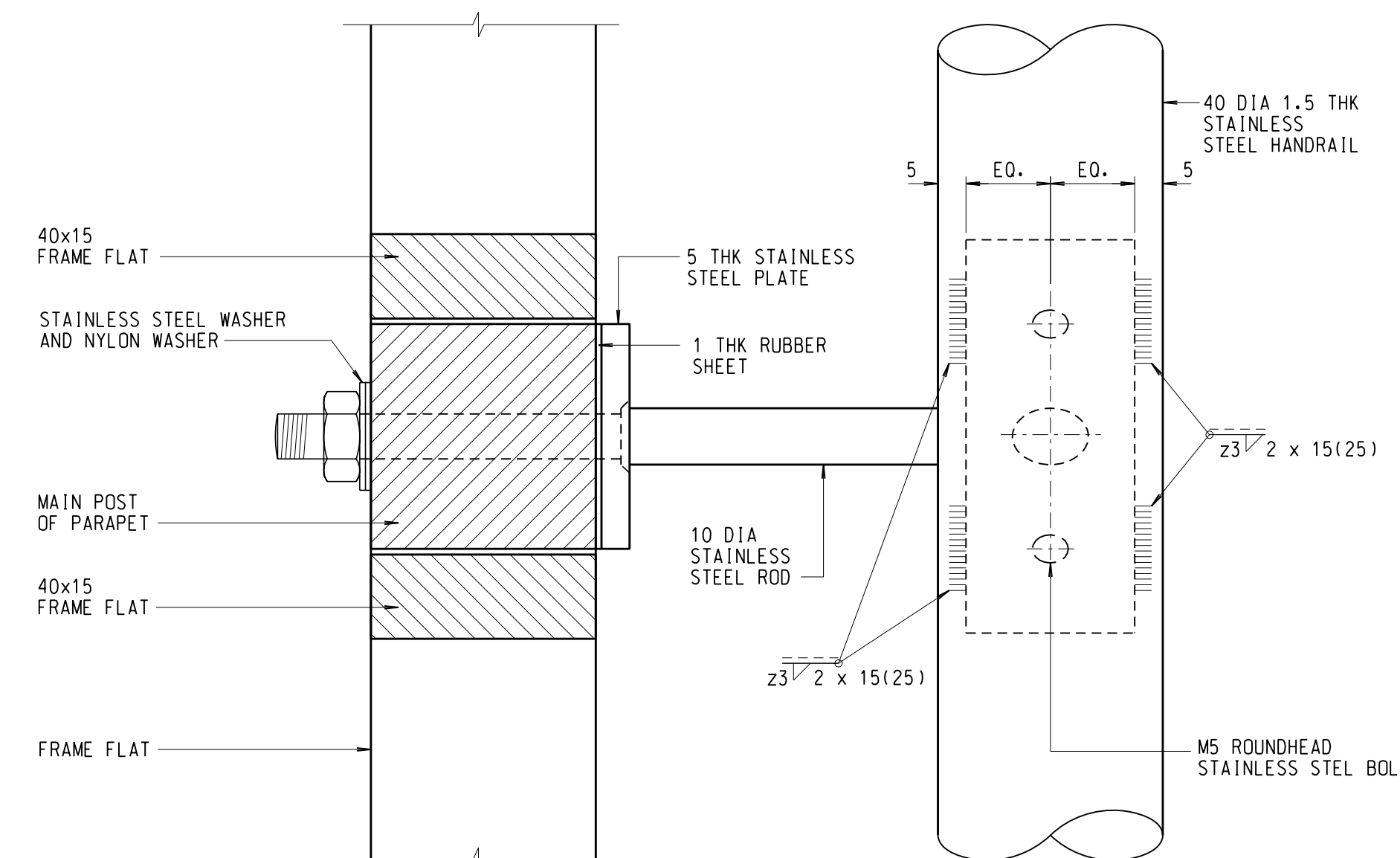
DETAIL 1

SCALE 1:1



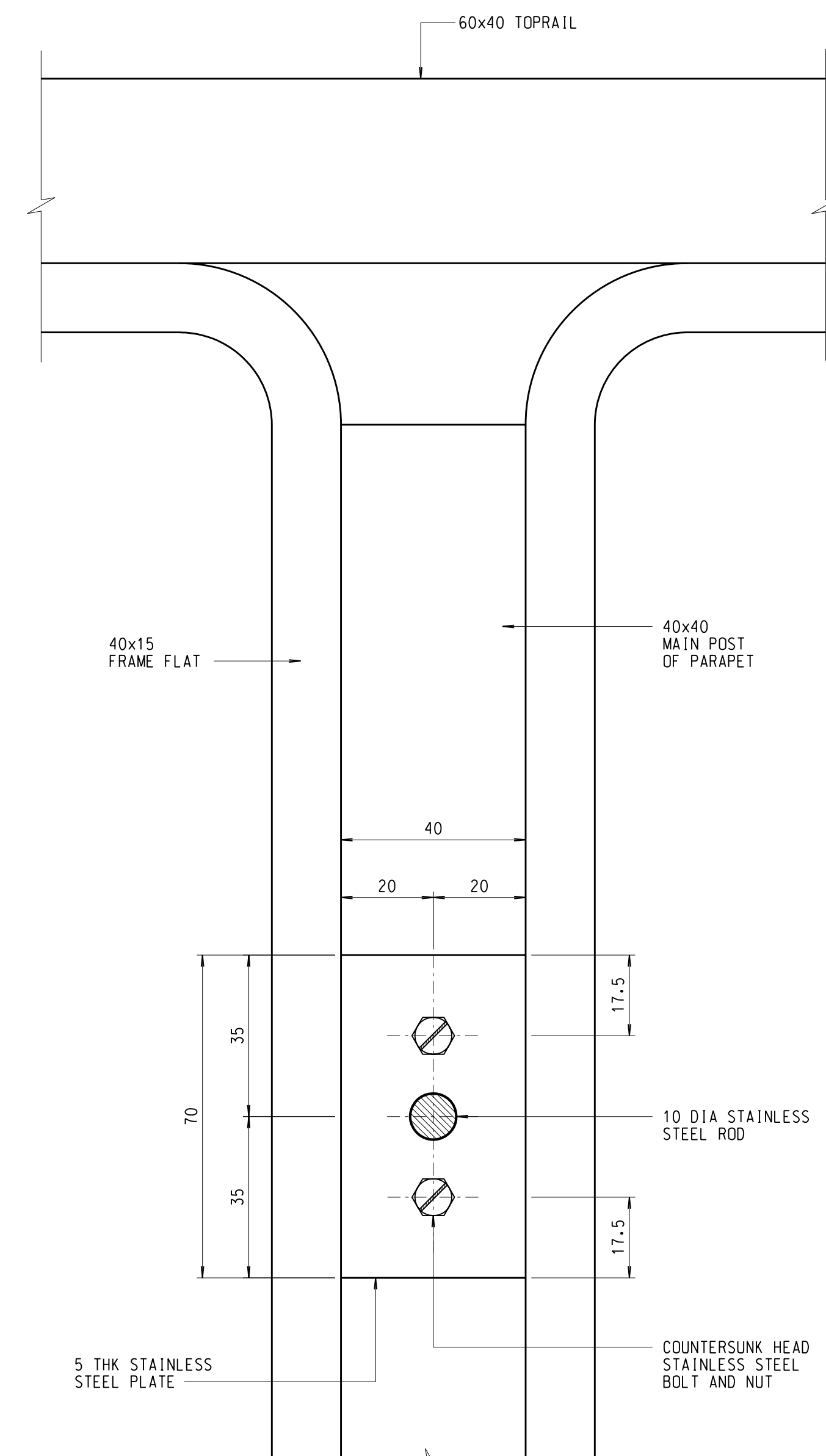
ELEVATION B

SCALE 1:1



PLAN C

SCALE 1:1



ELEVATION D

SCALE 1:1

NOTES:

- ALL DIMENSIONS ARE IN MILLIMETRES.
- SEATING BRACKETS TO BE INSTALLED AT APPROXIMATELY 1500 C/C.
- ALL JOINTS WELDED AND GROUND SMOOTH.
- ALL STAINLESS BOLTS AND NUTS TO BE GRADE A4-70.
- ALL STAINLESS STEEL PLATE AND SECTION TO BE GRADE 316 S33.
- SUBJECT TO THE AGREEMENT OF THE ENGINEER, AN ALTERNATIVE HANDRAIL DIAMETER OF 32mm TO 40mm MAY BE ADOPTED.
- THE END PORTION MAY BE BENT DOWNWARDS OR AROUND A STRUCTURE TO SUIT SITE CONDITIONS AS DIRECTED BY THE ENGINEER.

no.	date	description	initial
B	09/09	END DETAILS REVISED	SIGNED K.S. LAM, E/P2-2
			SIGNED P.T. LEUNG, SE/P2
A	10/05	- STAINLESS STEEL GRADE REVISED - GENERAL DETAILS ADDED - DRAWING REDRAWN	SIGNED M.H. TAM, E/P2-4 SIGNED C.K. CHAN, SE/P2

REVISION			
no.	date	description	initial
designed	E/MK 89	SIGNED	02/89
drawn	T. W. LAM	SIGNED	10/05
senior technical officer	S. F. CHAN	SIGNED	10/05
project engineer	M. H. TAM	SIGNED	10/05
senior engineer	C. K. CHAN	SIGNED	10/05

approved
SIGNED
P. K. LEE
Chief Highway Engineer
18/10/05
date

contract no.

file no.

project no.

contract

drawing title
ADDITIONAL HANDRAIL DETAILS FOR PEDESTRIAN PARAPET

drawing no. **SSD102-B** scale **AS SHOWN**

office **BRIDGES AND STRUCTURES DIVISION** 橋樑及結構部
HONG KONG DEPARTMENT OF HIGHWAYS 香港路政署